

**SOHO ADJUSTABLE
SCREEN DOOR
ASSEMBLY INSTRUCTIONS**

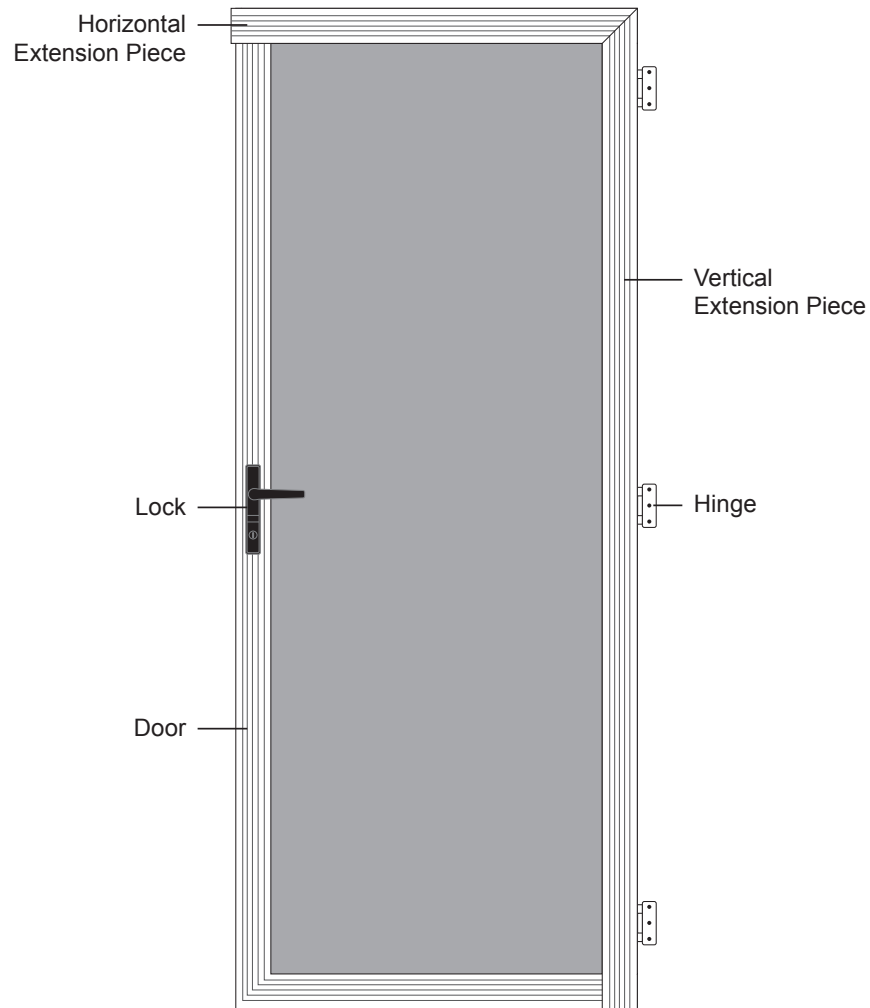
SOHO ADJUSTABLE SCREEN DOOR

Check contents of carton prior to assembly

CONTENTS OF CARTON:
Screen Door
Vertical extension piece
Horizontal extension piece
Rivets x 9 (8 plus 1 extra)
Lock kit

TOOLS REQUIRED:
Chisel
Drill
Drill bits
Hacksaw
Hammer
Pop rivet gun
Pencil
Philips screwdriver
Ruler
Set square
Spacers
Spirit level
Tape measure

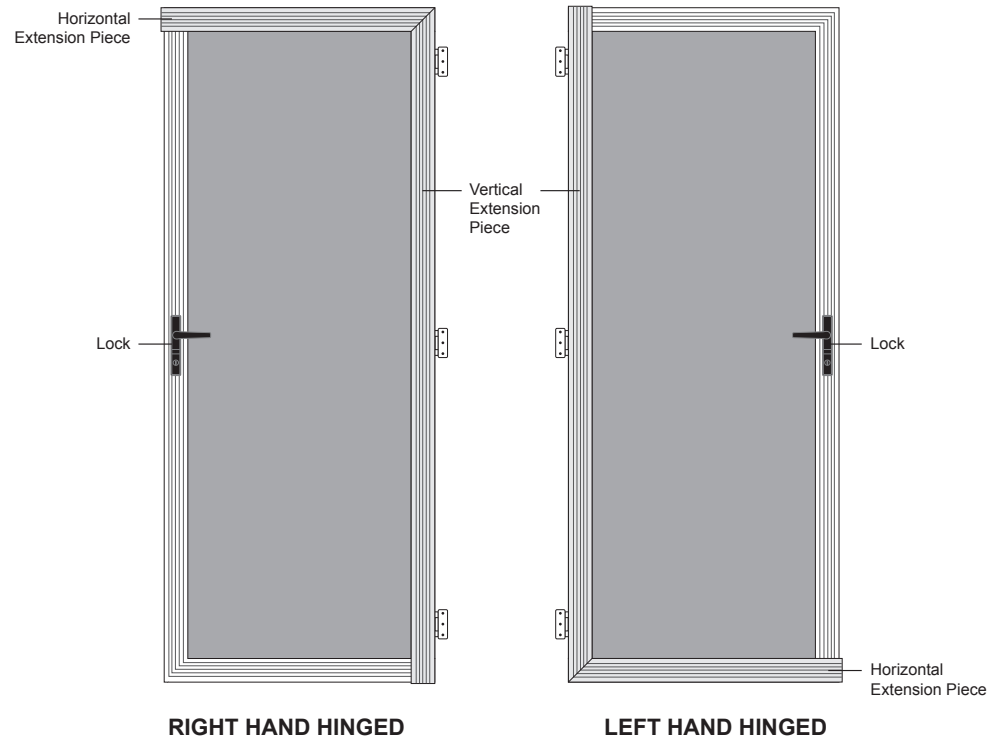
Note: Hinge Fasteners not included



CONSTRUCTION AND INSTALLATION

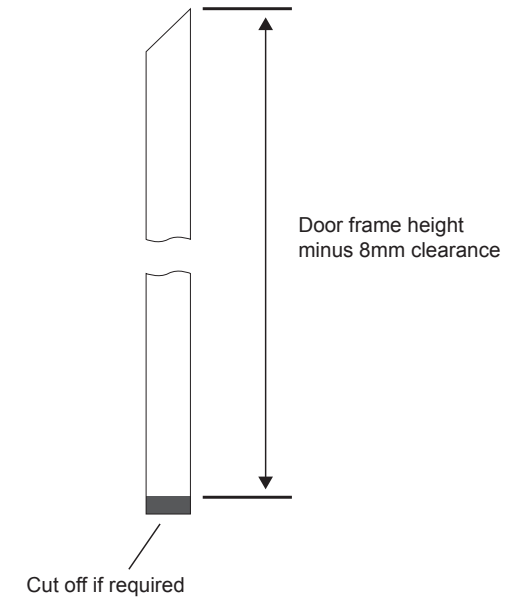
1. LEFT OR RIGHT HAND HINGING

- Determine the door will open from the left or right (when viewed from inside).
- Move lock cut out to the chosen side and position extension pieces to suit as per image below.



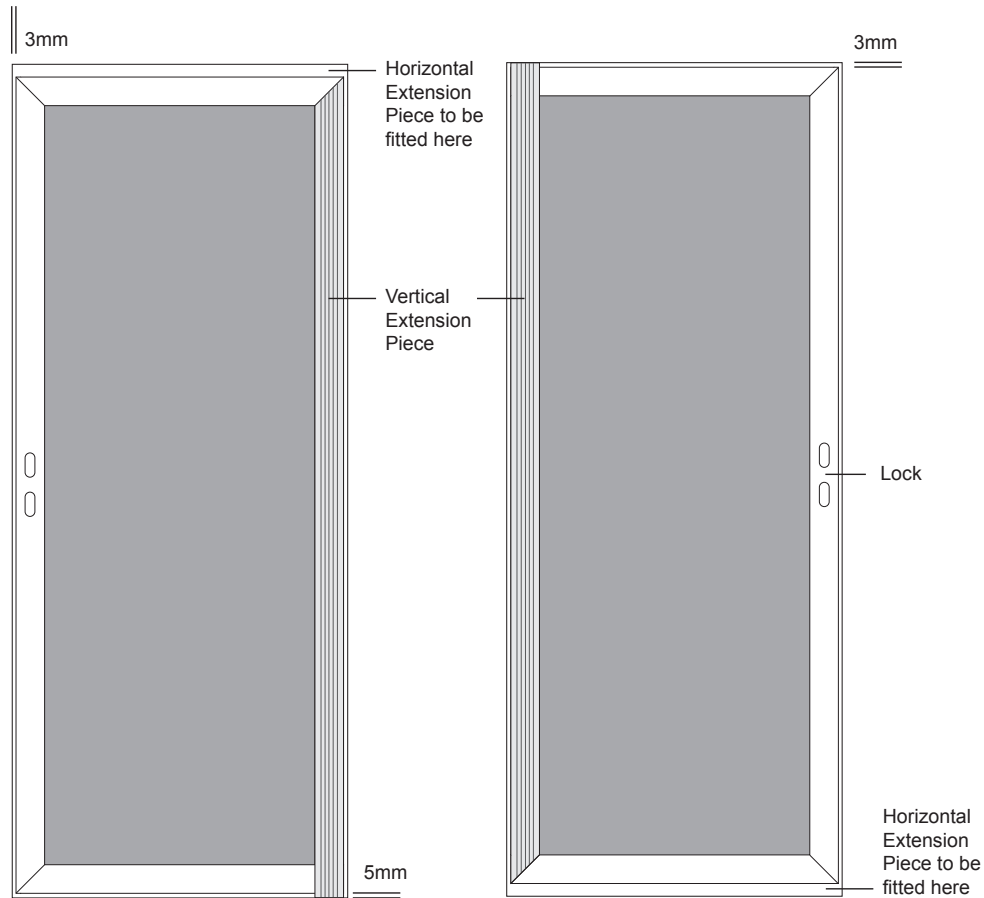
2. FITTING EXTENSIONS

- Measure door opening size on the hinge side of door frame.
- Determine clearance required (Recommended 5mm base and 3mm at top).
- Mark and cut off unrequired length of vertical extension piece at square end.



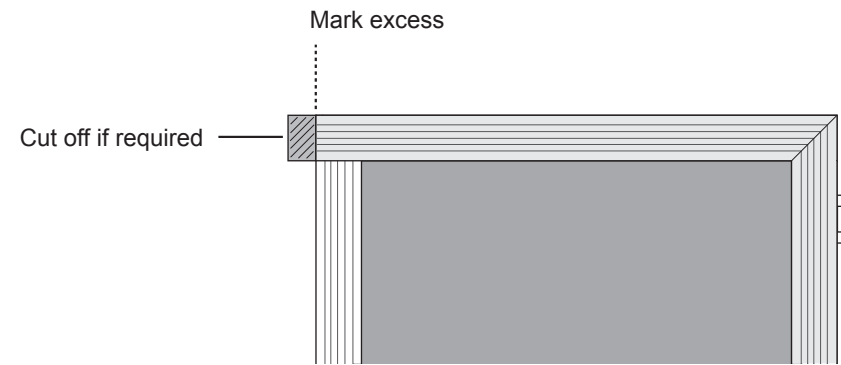
2. FITTING EXTENSIONS CONTINUED

- d. Screw the vertical extension piece to the door frame, allowing suitable clearance.
- e. Slide door into vertical extension piece.
- f. The outside of the door should have the flattest profile.
- g. Ensure lock is on correct side.



2. FITTING EXTENSIONS CONTINUED

- h. Mark hole positions, remove door and drill holes, from inside (one side of door only).
- i. Slide door back into vertical extension piece, check clearances and secure with rivets.
- j. Open door, slide on extension piece. Mark excess, remove and cut off at square end.
- k. Slide on horizontal extension piece, check clearance.



- l. Mark hole positions, remove then drill 2 holes and secure with rivets.

3. FIT LOCK

- a. See lock box for lock fitting instructions.

BASTION[®]
BUILDING MATERIALS